

2015

D Design Hardware™

Quality • Selection • Service

latch



control



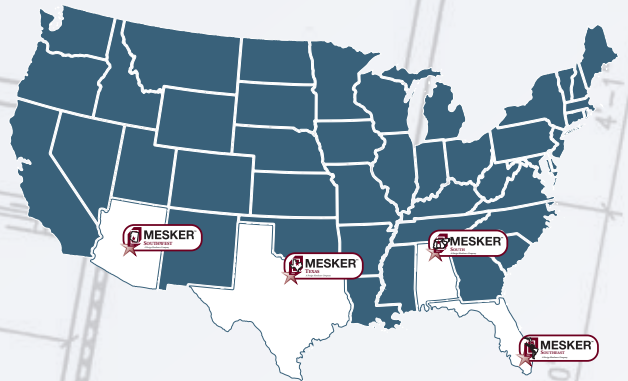
protect



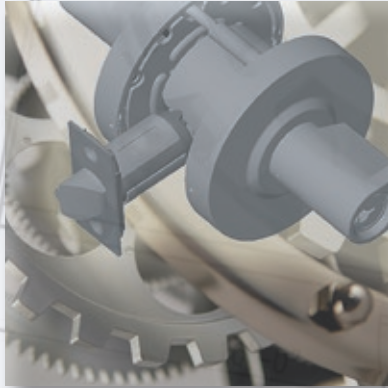
hang

Visit us online at www.designhardware.net

D Design Hardware™



Multiple locations to service our business in the Americas



Products to perform and last...

Quality— What you want

- ✓ In House Product Development/Engineering
- ✓ Lifetime Warranty
- ✓ Proven Field Performance
- ✓ Meets or Exceeds



- ✓ Corporate Members



- ✓ Sister Companies



Products to meet your demands...

Selection— How you want it

- ✓ In Stock Finish Options
- ✓ Large Variety of Accessories
- ✓ Product Continuity
- ✓ Huge Inventory



Methods for quick and efficient delivery...

Service— When you want it

- ✓ Same Day Shipping
- ✓ Responsive Product Support
- ✓ Knowledgeable Sales Staff
- ✓ Web-based Solutions

Visit us online at www.designhardware.net

Design Hardware is proud to present its latest brochure. Our wish is that this Product Information Guide provides a good outline to our product offering and overall capabilities. For more information, please visit our virtual home at www.designhardware.net

- **Design Electric** - Design Electric has been expanded again to include the additional items needed to complete an access controlled opening. Electric Strikes, Keypads, Push Button Switches, Mag Locks, Relays and more are now available.
- **Z Series** - The Z Series Grade 1 High Security Cylindrical Lock has been upgraded to include a 3/4" High Security Latchbolt with 50% more latch engagement.
- **X Series** - The X Series Grade 1 Cylindrical Lock now has 316 Marine Grade Stainless Steel as a finish option and continues to be the "go to" lock for distributors with all the finish, function and lever trim options available.
- **Hinges** - Standard Weight and Spring Hinges 4" x 4" with square and radius corner, and Heavy Weight 5" x 5" are now available.
- **Flat Goods** - Coordinators, Automatic Flush Bolts, Signage, Armor Plates, and much more, have been added to continue the growth of this offering.
- **Thresholds and Weatherstrip** - The addition of Brush Sweeps and increased inventory levels make sure these items are always in stock and ready to ship.
- **New Warehouse Locations** - Opening up **Ft. Lauderdale** in 2013, **Huntsville** in 2014, **Phoenix & Dallas** in 2015 now gives us multiple locations to stock Design Hardware, and offer other capabilities such as Mesker Door Hollow Metal, HMX Hollow Metal Quickship Services, Wood Doors, Lite Kits and Louvers, and more.



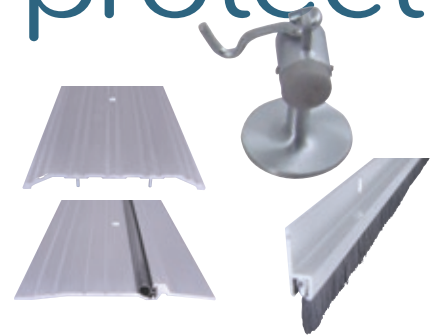
Hinges

hang



Flat Goods & Accessories

protect



Threshold & Weatherstripping

Door Closers

control



Locks & Exit Devices

latch

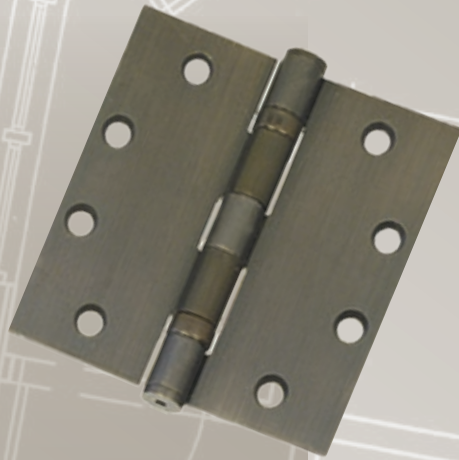


Electrified Hardware & Access Control

design electric



hang your door

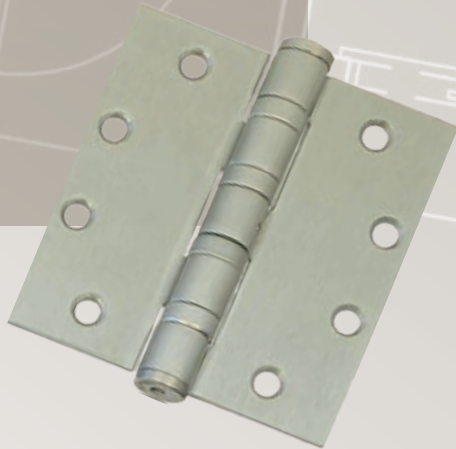


BB5 Series ^{13'-5"}

Standard Weight, Full Mortise

The BB5 is equipped with 2 ball bearings and a steel or stainless steel base metal making it perfect for most commercial fire rated and non rated openings. It is stocked in a wide variety of finishes and has an optional NRP (non-removable pin).

MARINE GRADE



BB5-HW Series

Heavy Weight, Full Mortise

The BB5-HW is equipped with 4 ball bearings and a thicker gauge of steel or stainless steel than the BB5 Series. This hinge is used in extra heavy duty applications and requires the doors/frames to be specially prepped for the hinge thickness. This hinge is only available with a non-removable pin.

MARINE GRADE



Spring Hinges



Grade 1 - Standard Weight, Full Mortise

The Spring hinge allows for light duty or value engineered applications to be self closing without carrying the cost of a door closer.

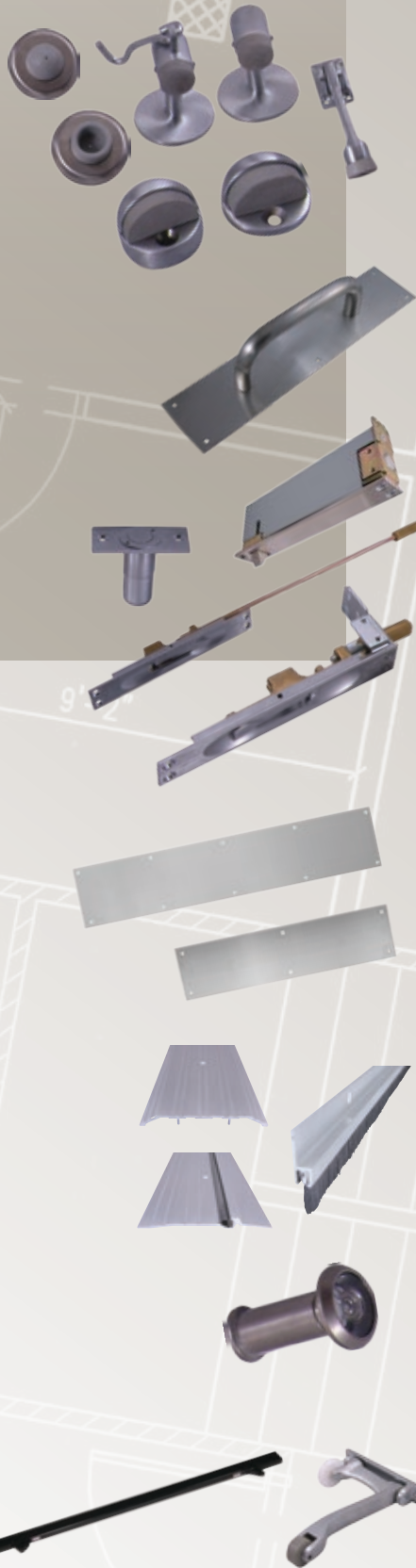


Continuous Hinges

Heavy Weight

Our offering covers an array of different mortise and full surface options in a variety of size and finish options.

protect your door



Stops

Wall, Dome, Kick Down, Floor, Chain
Simple, clean and readily available, our door stops will increase the life of your doors, walls, and hardware.

Push/Pulls



Barrier Free 2 1/2"

With a classic look and great finish quality, our push/pulls are a perfect alternative to latching hardware on your non fire rated openings.

Flush Bolts



Metal Door/Wood Door

Manufactured in a combination of brass and steel material, flush bolts are a good choice to secure the inactive leaf of fire rated and non rated pairs of doors. Our Dust Proof Strike is a good option for use with the bottom flush bolt in preventing dirt and debris from interfering with the engagement of the bottom bolt. It can also be used for the bottom strike to our vertical rod exit device.

Kick & Armor Plates



*Armor Plates Only

Whether you need a kick plate for form or function (protect your door), our plates are readily available and equipped with an excellent finish quality that will satisfy either objective. Design Hardware manufactures its kickplates with standard B4E (all four sides beveled) so that there are no sharp edges.

Threshold/Weatherstripping



Classified by UL, this product offering is available in different styles and sizes for exterior weatherstripping, smoke control, sound, etc.

Viewers



Wide Angle (200°)

Our UL Viewers are manufactured out of brass with a wide angle plastic lens. Viewers provide wide angle security viewing of exterior side of door.

Coordinators



Our UL listed coordinators are available as flat bar or gravity type.

Signage

Our restroom signage has both handicap image and braille.



control your door



416 Series



Grade 1 – Heavy Duty, Surface Mounted

The 416 is made of cast iron and designed to take high levels of use and abuse. It is equipped with adjustable opening spring power, 3 control valves, and will work well in high traffic applications. It is most commonly used on heavy doors. Now available with metal 26D cover, bright chrome US26, and bright brass US3.



316 Series



Grade 1 – Heavy Duty, Surface Mounted

The 316 is made of cast aluminum alloy and is our most versatile door closer. It is equipped with adjustable opening spring power, 3 control valves, and will work well in virtually all high traffic applications. This door closer is our #1 selling door closer and comes available in 5 stock finishes (including electroplated bright brass US3 and bright chrome US26 metal covers).



Featured Product

316R Series



The 316R is the same closer as our 316 only packaged with a Patented Retrofit/Replacement Mounting Plate. It provides the ability to replace 33 of the most popular door closers in the market.

Visit www.replacementdoorcloser.com for more details.

US PATENT #7638706



116 Series



Grade 1 – Standard Duty, Surface Mounted

The 116 is made of cast aluminum alloy and although it is recommended for almost all openings, it is most commonly used in storefront door applications. It is equipped with adjustable opening spring power, 3 control valves, and will work well in virtually all high traffic applications.



316/116 Heavy Duty Arm



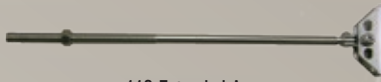
316/116 HD Hold Open Arm



316/116 Adjustable Type Hold Open Arm



316/116 Friction Type Hold Open Arm



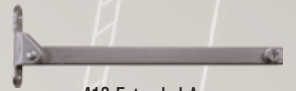
116 Extended Arm



316 Extended Arm



416 Extra Long Extended Arm



416 Extended Arm



416 Heavy Duty Arm



416 HD Hold Open Arm



416 Adjustable Hold Open Arm



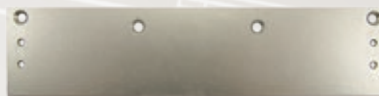
416 Friction Hold Open Arm



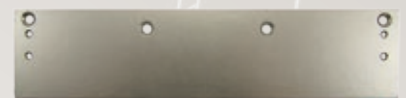
Spring Stop



116 - 2 9/16" Drop Plate



316 TJ Drop Plate



316 Regular Drop Plate



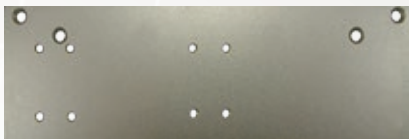
116 - 3 1/2" Drop Plate



316 Parallel Arm Drop Plate



416 TJ-1 Drop Down TJ Drop Plate



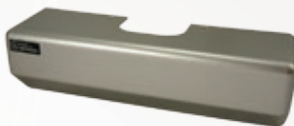
416 Parallel Arm Drop Plate



416 Regular Drop Plate



416 TJ-2 Center Mount TJ Drop Plate



116 Cover



116/316/416 Blade Stop Spacer



416 Shoe Support

Closer Accessories - Designed to offer more door control including such options as hold open, heavy duty and installation versatility options.

latch your door



M Series



Grade 1 – Heavy Duty, Mortise Lock

The M Series is produced for the most demanding of openings. Nothing beats the track record of a mortise lock over the lifetime of a building. If you are looking for the highest level of security, durability & functionality, look no further.

Mortise Trim options



Featured Product Z Series



Grade 1 – High Security, Cylindrical Lock

The Z Series is the toughest cylindrical lock that Design Hardware produces.

High Security Latch



* Available Levers

X Series



Grade 1 - Cylindrical Lock

The X Series is the perfect “every day” commercial lever lock, fitting Standard Duty Grade 1 applications. With a 3 3/8” rosette and thru bolt installation, it is our #1 selling and most versatile lock. It is stocked in 6 finishes, and with our lever kit option, it can ship with 5 distinct lever trims.

Works with Lever Kit.

MARINE GRADE



J Series



Grade 2 - Cylindrical Lockset

The J Series is a lock for the more common application. This lock offers a fixed lever mechanism yet still has removable through bolts and a large 3 3/8” rosette.

MARINE GRADE



Flat Lever



Curved Lever



Half Curved Lever



S-A Lever



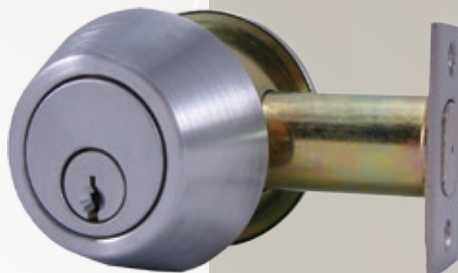
S-B Lever



* Available Levers



* Available Levers



V Series



Grade 2 - Standard Duty, Cylindrical Lock
Commercial applications sometimes require commercial durability but desire a residential feel. A 3" rosette and non-thru bolted application, paired with 5 lever design options, makes the V Series a perfect fit for light/medium duty jobs.

I Series



Grade 2 - Standard Duty, Interconnected/Cylindrical Lock
The I Series is a cylindrical lock and deadbolt combination that was designed using the V & D Series. Built to simultaneously retract both the deadbolt and latch, this lock provides both security and one-step egress. Because the I Series has a V Series body, the 5 lever design options are available.

F Series



Grade 2 - Tubular Lock
This UL listed Grade 2 tubular lock is a perfect solution for a light to medium use application most commonly found in multifamily or mixed use buildings.

K2 Series



Grade 2 - Standard Duty, Cylindrical Lock
When ADA is not a concern and a classic knob design is desired, the K2 Series will fit the bill.

Featured Product

D Series



D1 = Grade 1 - Heavy Duty
D2 = Grade 2 - Heavy/Standard Duty
The D Series will work in many applications. The D1 version is equipped with an additional solid steel collar, security shield and a wood frame reinforcer. Both the D1 and D2 Series are equipped with a 2" ADA thumbturn and Heavy Duty Grade 1 anti-saw bolt. Now offering Classroom function and more.



Designates designs available with small format interchangeable core options (SFIC).

latch

your door

Featured Product



US320

1000 Series



Grade 1 - Heavy Duty, Rim or SVR (Surface Vertical Rod),
Fire Rated or Non-Fire Rated

The 1000 series is strong enough to take high levels of use and abuse. With the 1000 Series, our very own Design Hardware engineering and product development team delivers an extremely reliable and durable product. This device is readily available in several finishes, mounting styles, door widths and a broad array of trim options including alarmed exit and cylinder dogging.

(Not shown) New finishes include Bright Brass US3 and Bright Chrome US26.

MARINE GRADE



US4



US10B



Cylinder Dogging Kit



Exit Alarm Kit



Aluminum painted

2000 Series



Grade1 - Standard Duty, Rim or SVR (Surface Vertical Rod),
Fire Rated or Non-Fire Rated

The 2000 series is designed for everyday use and is our most economical exit device option. This device is readily available in several finishes, mounting styles, door widths and a broad array of trim options. Also available in US320 Brushed / Satin Stainless Steel.



Gold painted



Bronze painted

Not shown - US320
Stainless Steel Finish



Exit Alarm Kit



LE

Lever Escutcheon Trim

The LE trim is the heaviest duty trim Design Hardware offers. It is equipped with a unique tailpiece (actuator shaft) that is a direct drive design putting all torque straight into the device. This LE trim also features a field-friendly handling solution. This trim is our recommended choice for vertical rod applications. Finish options match those of our 1000 and 2000 series devices.

MARINE GRADE



KIL / KIK

Keyed Lever/Knob - Cylindrical Design

The KIL trim is ideal for most applications because of its ease of installation, lever versatility (works with lever kit options) and functionality. This trim is essentially 1/2 of an X Series lever lock that is equipped with a hardened steel tail piece. The KIK is the answer for non-ADA knob trim applications.

MARINE GRADE



TP

2P

TP

Thumbpiece

The Thumbpiece trim is used on openings where a pull handle is desired, yet requires latching and does not have to meet ADA requirements.

2P

Pull Trim

The 2P trim provides a clean, traditional look. This trim is an economical choice, and an ideal choice for high use doors that will be dogged down for push/pull applications.

DFP/FP

Double Finger Pull/Finger Pull

The DFP/FP trim are our most economical choices, while still providing trim control options - for most common low traffic openings that want more than exit only.



Designates designs available with small format interchangeable core options (SFIC).



Featured Product

KRM Mullion

The KRM (Keyed Removeable Mullion) is ideal for double-door applications and can easily be removed in case large items need to pass through the opening. Available in 7', 8' and 10'.

NOTE: All trims can be used for both 1000 and 2000 Series Exit Devices.

Providing total openings solutions, based on innovation and tradition combined.

MESKER[™]
OPENINGS GROUP

MESKER[™]

D Design Hardware[™]

FMX

WDX
Wood Door Xpress

Mesker Alabama

3440 Stanwood Blvd
Huntsville, AL 35811
Main: (256) 851-6670
Fax: (800) 503-1410

Mesker Arizona

602 S. 65th Ave.
Phoenix, AZ 85043
Toll Free (866) 936-7001
Main: (623) 936-7001
Fax: (623) 936-7007

Mesker Florida

710 S. Powerline Road
Suite E
Deerfield Beach, FL 33442
Main: (954) 312-4652
Fax: (954) 301-6288

Mesker Texas

2400 Skyline Drive
Suite 300
Mesquite, TX 75149
Main: (469) 872-4086
Fax: (469) 533-6620

1-844-4MESKER • www.meskeropeningsgroup.com